

Combi-CamTM ULTRA

Master Key & Retrievable Codes



Solid metal combination cam lock with master key over-ride and the code can be retrieved by the owner of the master key to reset the combination.

Offers convenient dual access with both keys or combinations. No more lost combinations and up to 10,000 combinations available!



High Security Keys!
- 50,000 codes possible

Master Key Over-Ride

Discover & Reset Combination

Durable - All Solid Metal

Secure - Up to 10,000 Possible Combinations

Replaces any 3/4" Keyed Cam Lock.

Optional cams and finger pulls available. Fits up to 7/8" material thickness.

User friendly. Turn knob to open, no bulky housing to rotate, defacing surface.

APPLICATIONS

• Metal or Wood Applications

• Doors and Drawers
• Can be mounted vertically or horizontally

• Gym Lockers
• Employee Lockers
Wherever keys are a hassle!

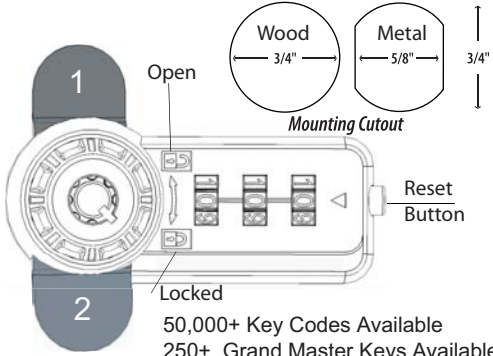


Combi-Cam™

With High Security Key Over-Ride

Easy Installation

- Replaces any 3/4" keyed cam lock application.
- Cam can be placed in 180° increments.
- (see below image with 2 cam positions shown
90° increments can be used w/ dual hole cams)



50,000+ Key Codes Available
250+ Grand Master Keys Available

Set Your Own Combination

The combination can be changed in seconds without special tools or disassembly.

- Set dials to opening combination (factory default all 0's)
- Depress reset button and keep down while changing dials to desired combination

Discovering Combinations

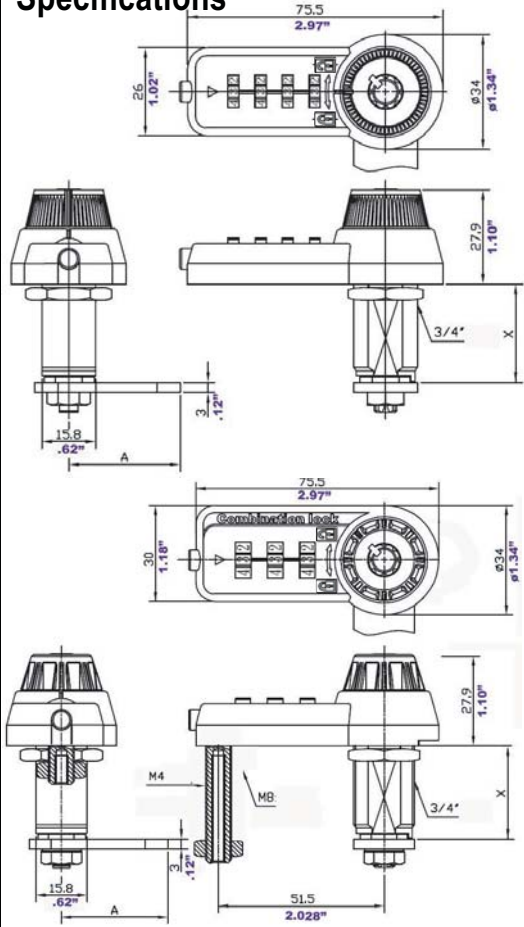
- #7432- After opening with Master Key combination can be discovered with the code pin from the back of the lock.
- #7440- Using the key in the open mode, turn all dials until they stop.

Accessories Included:

90 degree stop cam, 1-3/8" straight cam, 3/4" cylinder nut and screw and nut washer
Master keys are sold separately



Specifications



A = Cam length
X = Cylinder length (5/8", 7/8" or 1-1/8")

Optional Accessories:



800-654-1786

www.combi-cam.com

Innovative, Quality Security Solutions

www.fjmsecurity.com

SECURITY

© 2010 FJM Security Products